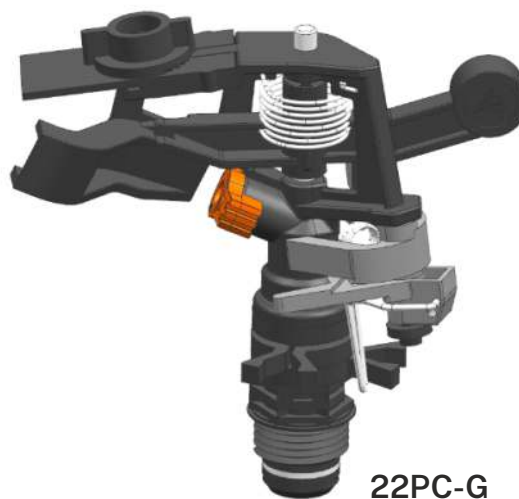


# HT - 22 PC

1/2" BSP/NPT Male Thread

The HT-22PC is a 1/2" part circle impact sprinkler for Efficient irrigation of field edges / turf application. It provides extended wetted diameter with high water distribution uniformity, even with low flow nozzles.



## HIGHLIGHTS

---

- **Adjustable part-circle arc control:** Ranging from 25 Degree to 335 Degree, allows coverage for specific parts without spraying areas that do not need water.
- **Uniform Water Distribution:** Ensures even coverage with a spray reach of up to 12 metres, making it suitable for a wide range of applications.
- **Convenient Maintenance:** Equipped with color-coded bayonet nozzles for easier identification, cleaning, and service.
- **Durability:** Constructed from heavy-duty, high-impact plastic that resists corrosion, chemicals, and radiation, ensuring a long lifespan and reducing replacement costs.

## TECHNICAL DATA

---

- Pressure range : 2 - 4 kg/cm<sup>2</sup> (28 - 57 psi.).
- Flow rate range : 366 - 954 l/h ( 1.6 - 4.2 GPM)
- Diameter of coverage : 23 - 26 mtr. (76 -85 ft.)
- Trajectory Angle: 25°



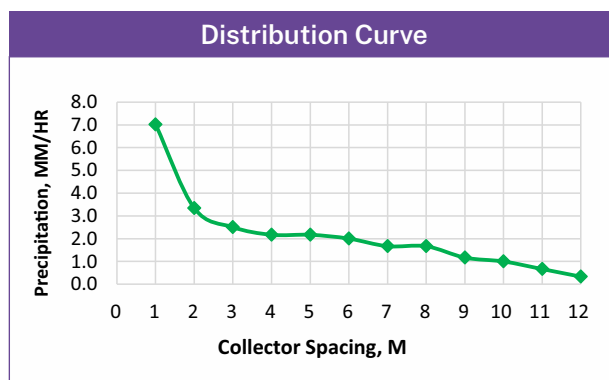
## Performance Table ( HT-22PC )

Nozzle Colour & Size		Pressure		Coverage Diameter		Flow Rate	
mm	inch	kg/cm <sup>2</sup>	PSI	mtr	ft	LPH	GPM
2.5 Purple	13/128" Purple	2.0	28	23.0	75.5	366	1.6
		2.5	36	23.5	77.1	410	1.8
		3.0	43	24.0	78.7	450	2.0
		3.5	50	24.0	78.7	485	2.1
		4.0	57	23.5	77.1	516	2.3
2.9 Orange	7/64" Orange	2.0	28	23.5	77.1	456	2.0
		2.5	36	23.0	75.5	510	2.2
		3.0	43	23.0	75.5	558	2.5
		3.5	50	23.5	77.1	605	2.7
		4.0	57	24.0	78.7	648	2.8
3.2 Green	1/8" Green	2.0	28	23.5	77.1	579	2.5
		2.5	36	24.0	78.7	647	2.8
		3.0	43	24.5	80.4	693	3.0
		3.5	50	24.5	80.4	766	3.4
		4.0	57	24.0	78.7	798	3.5
3.5 Blue	9/64" Blue	2.0	28	24.5	80.4	684	3.0
		2.5	36	25.0	82.0	765	3.4
		3.0	43	25.5	83.7	834	3.7
		3.5	50	25.5	83.7	905	4.0
		4.0	56.9	26.0	85.3	954	4.2

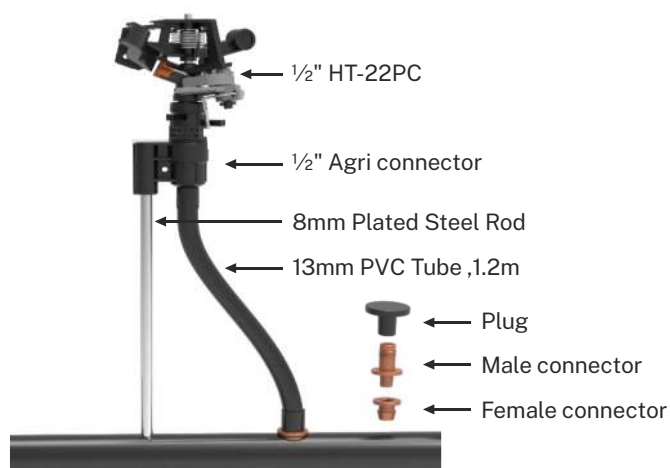
- Performance is based on ideal conditions of temperature, wind velocity and humidity.
- Tested at 100cm (3ft.) height above the ground.

Spacing (m)	CU	DU	SC	PR (mm/hr)
9.0 x 9.0	92%	90%	1.1	8.6
10.0 x 10.0	90%	90%	1.1	6.9
11.0 x 11.0	89%	84%	1.2	5.7
10.0 x 12.0	89%	83%	1.3	5.8
12.0 x 12.0	87%	83%	1.2	4.8

Nozzle Size : 3.2mm | Pressure : 3.0 kg/cm<sup>2</sup>



## HT-22PC Assembly



22PC-AG